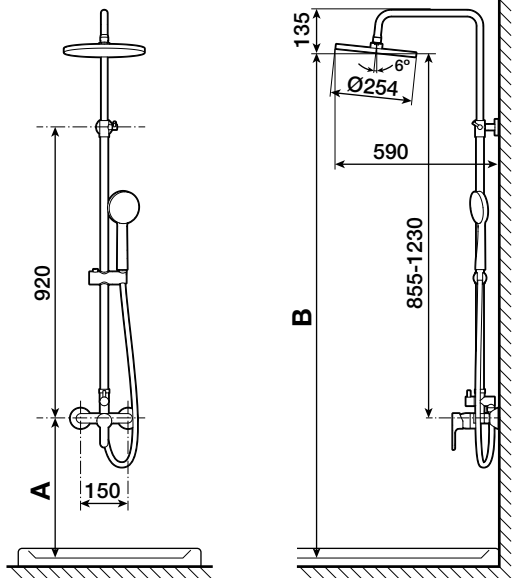


Roca

L20

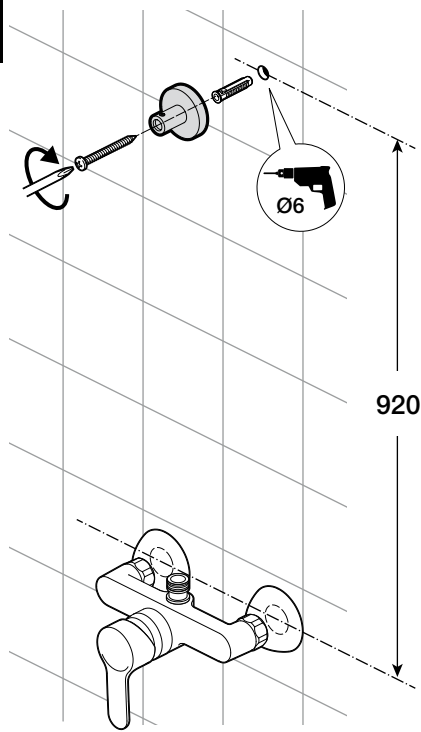
A5A9709



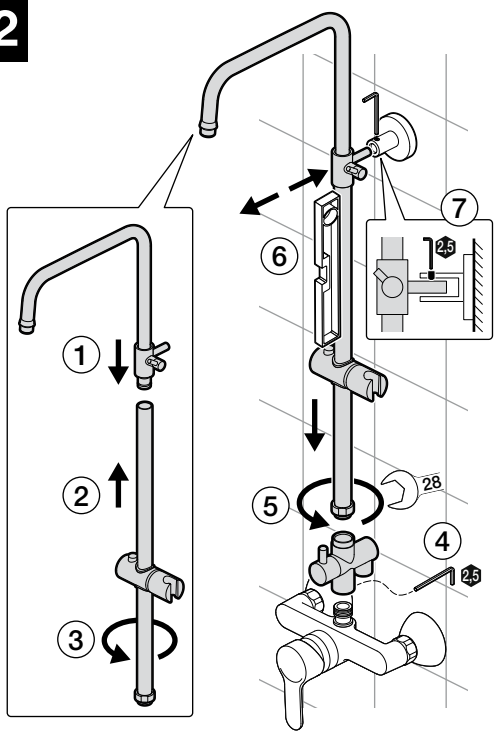


| | | | | |
|----------|-----------|-----------|-----------|-----------|
| A | 900 | 1000 | 1100 | 1200 |
| B | 1755-2130 | 1855-2230 | 1955-2330 | 2075-2430 |

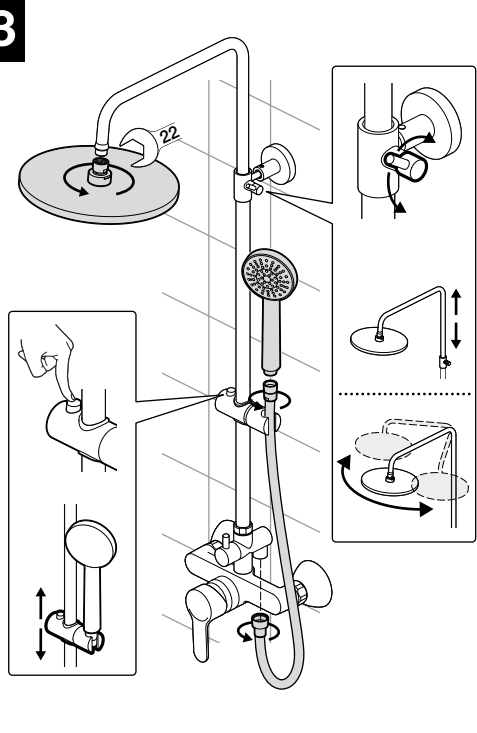
1



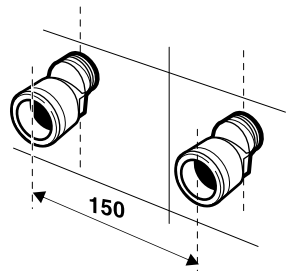
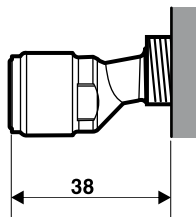
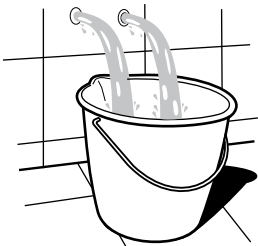
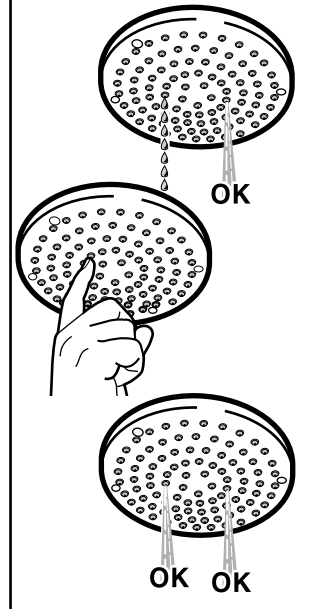
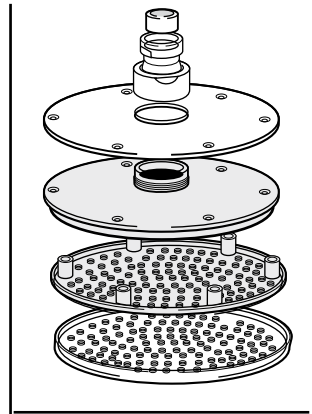
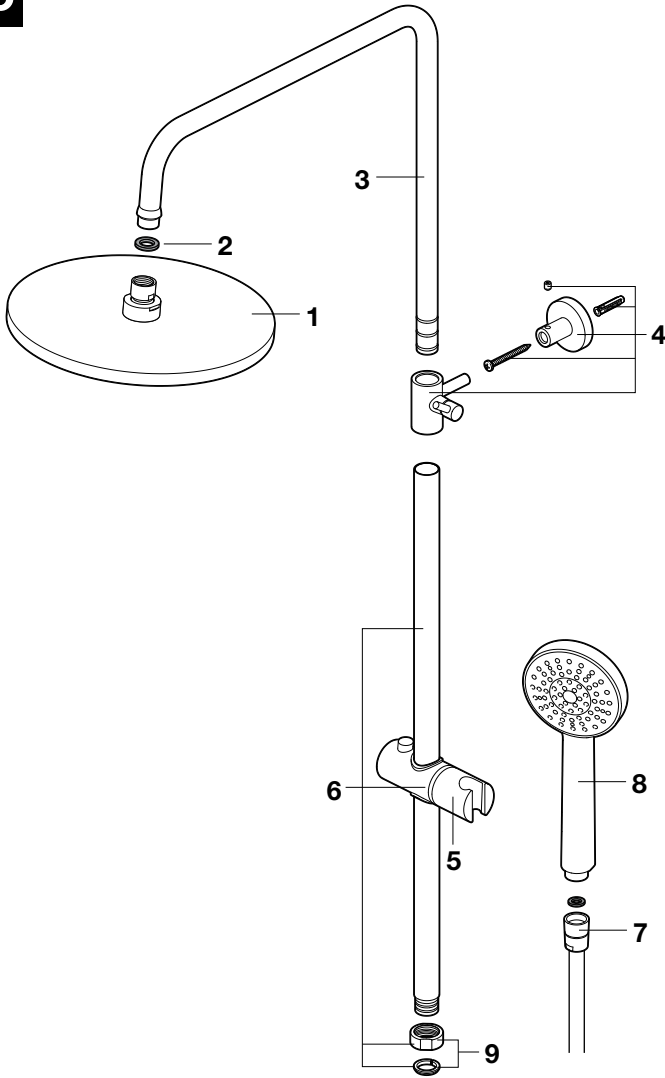
2

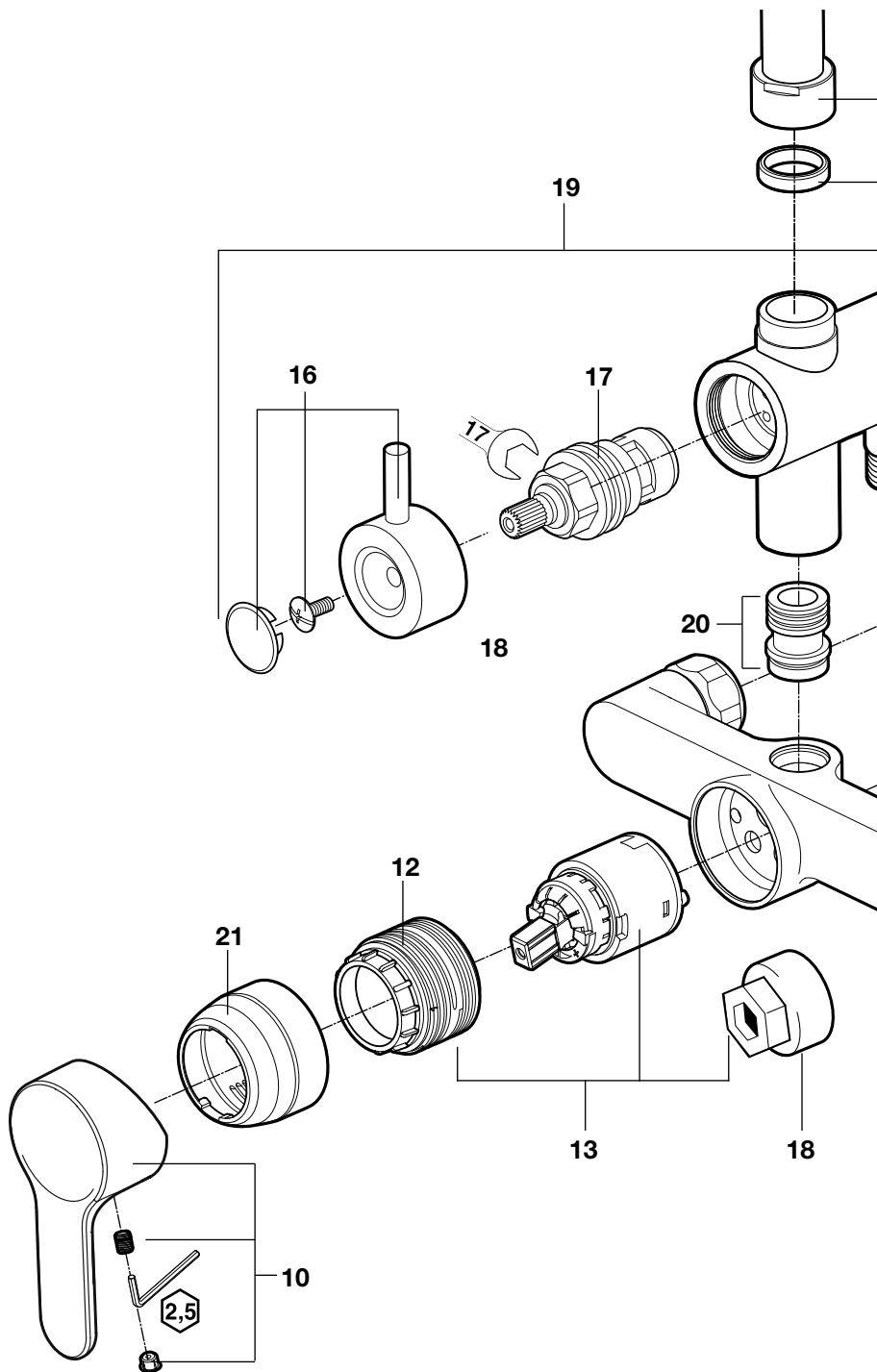


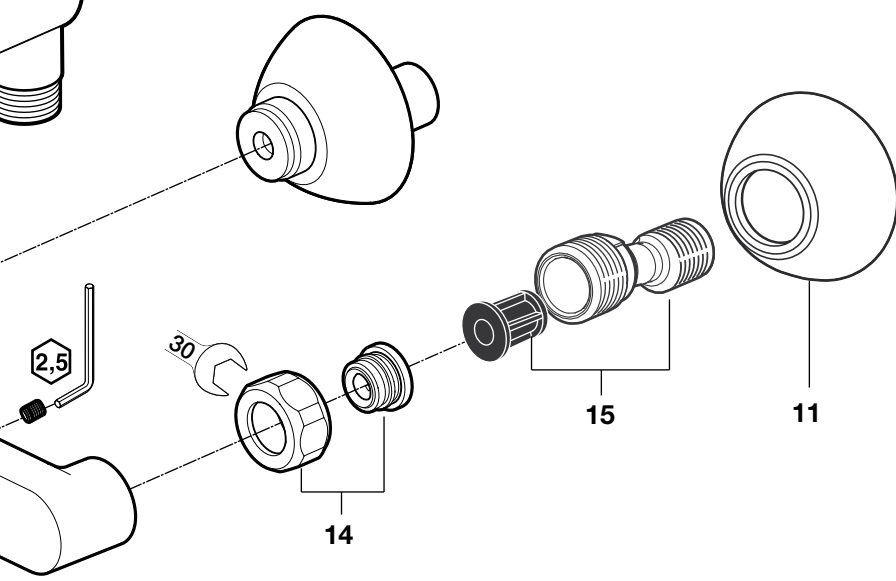
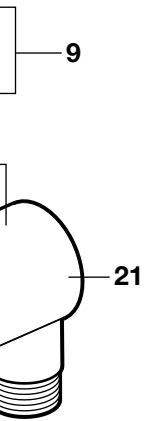
3

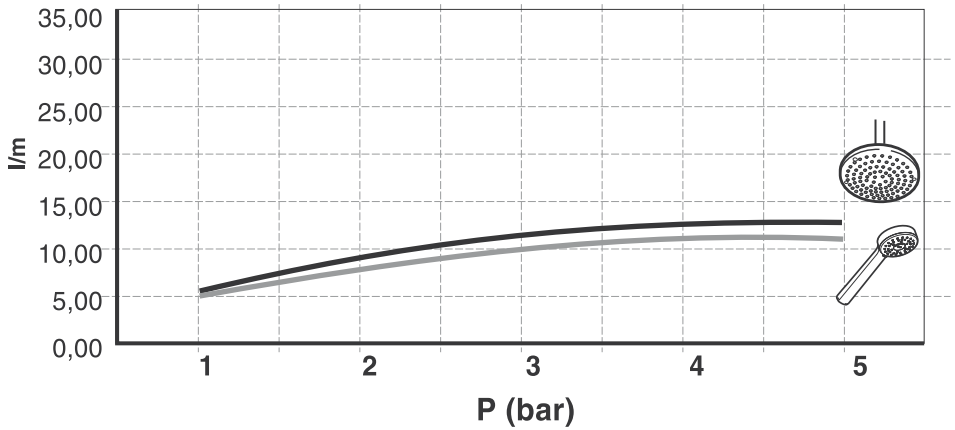













5



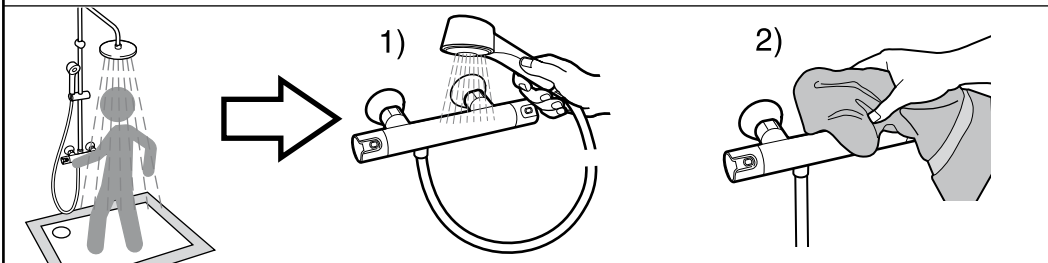
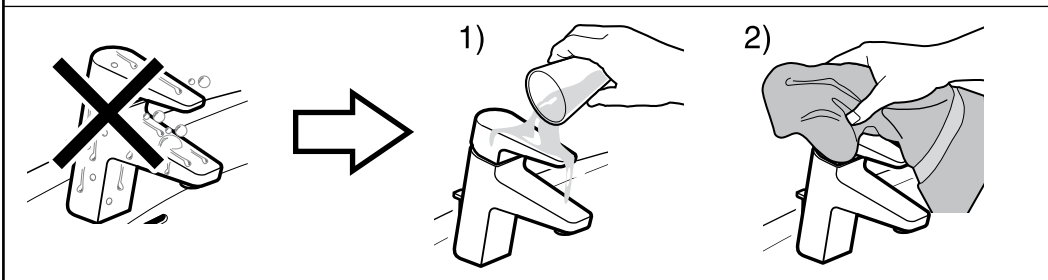
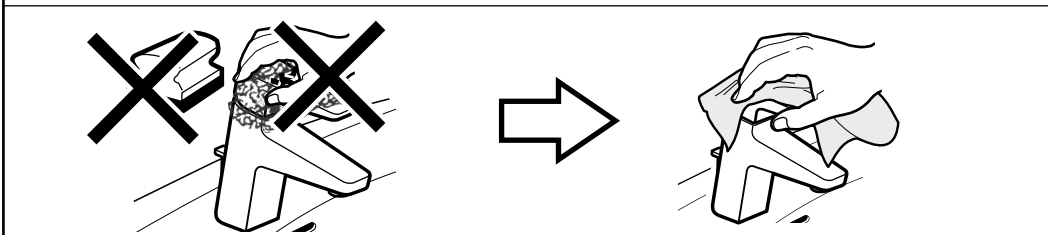
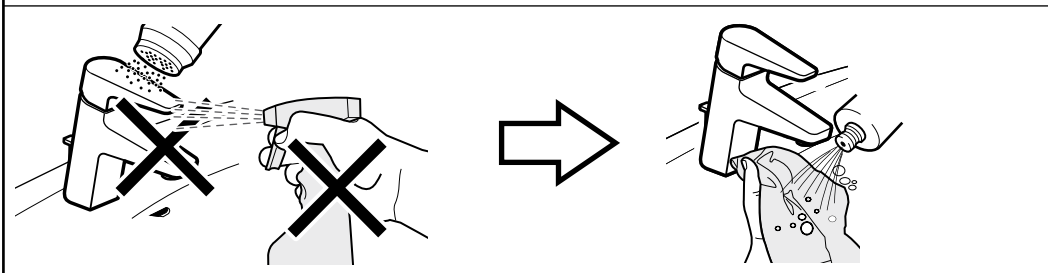
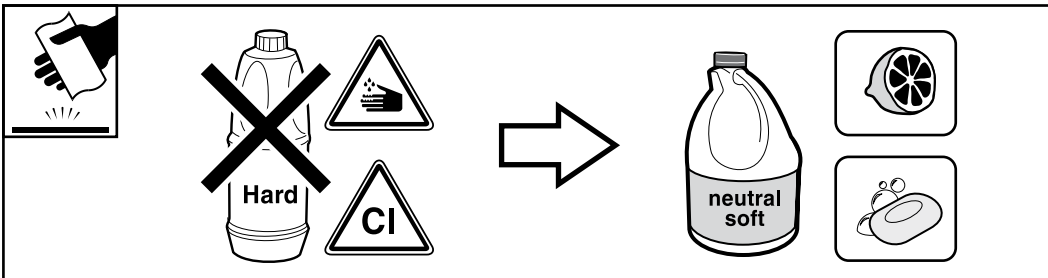






| | | |
|---|---|--|
|  <p>P</p> | <p>P bar</p> |    |
|   <p>T</p> | <p>°C</p> |    |
| <p>Q (3 bar)</p> | <p>l/min</p>  <p>MAX. 11</p> |  <p>12</p> |

| | | | |
|-----------------------|------------------------|------------------------|------------------------|
| <u>1 - AG0087300R</u> | <u>7 - A525009800</u> | <u>13 - AG0053707R</u> | <u>19 - AG0220000R</u> |
| <u>2 - AG0056807R</u> | <u>8 - A5B9A03C00</u> | <u>14 - AG0002500R</u> | <u>20 - AG0073003R</u> |
| <u>3 - AG0220400R</u> | <u>9 - AG0220500R</u> | <u>15 - AG0103908R</u> | <u>21 - AG0085300R</u> |
| <u>4 - AG0220700R</u> | <u>10 - AG0032400R</u> | <u>16 - AG0220100R</u> | |
| <u>5 - AG0220600R</u> | <u>11 - AG0085400R</u> | <u>17 - AG0220200R</u> | |
| <u>6 - AG0220300R</u> | <u>12 - AG0054107R</u> | <u>18 - A525005407</u> | |



A553081907c